

SMART CLEANER

PLEASE SCAN THE QR CODE FOR VIEWING MULTI-LANGUAGE INSTRUCTIONS.



FR. Veuillez scanner le code QR pour afficher les instructions multilingues pour ce kit. DE. Bitte scannen den QR-Code, um die mehrsprachige Anleitung für dieses Set anzusehen. NL. Scan de QR-code om de instructies voor deze set in verschillende talen te bekijken. IT. Scansiona il codice QR per visualizzare le istruzioni multi-lingua per questo kit. ES. Escanee el código QR para ver instrucciones en varios idiomas para este kit. JA. QRコードをスキャンして、キットの多言語説明書をご覧ください。

WARNING:
CHOKING HAZARD - Small parts.
Not for Children under 3 years.

TO PARENTS: PLEASE READ THROUGH THESE INSTRUCTIONS BEFORE GIVING GUIDANCE TO YOUR CHILDREN.

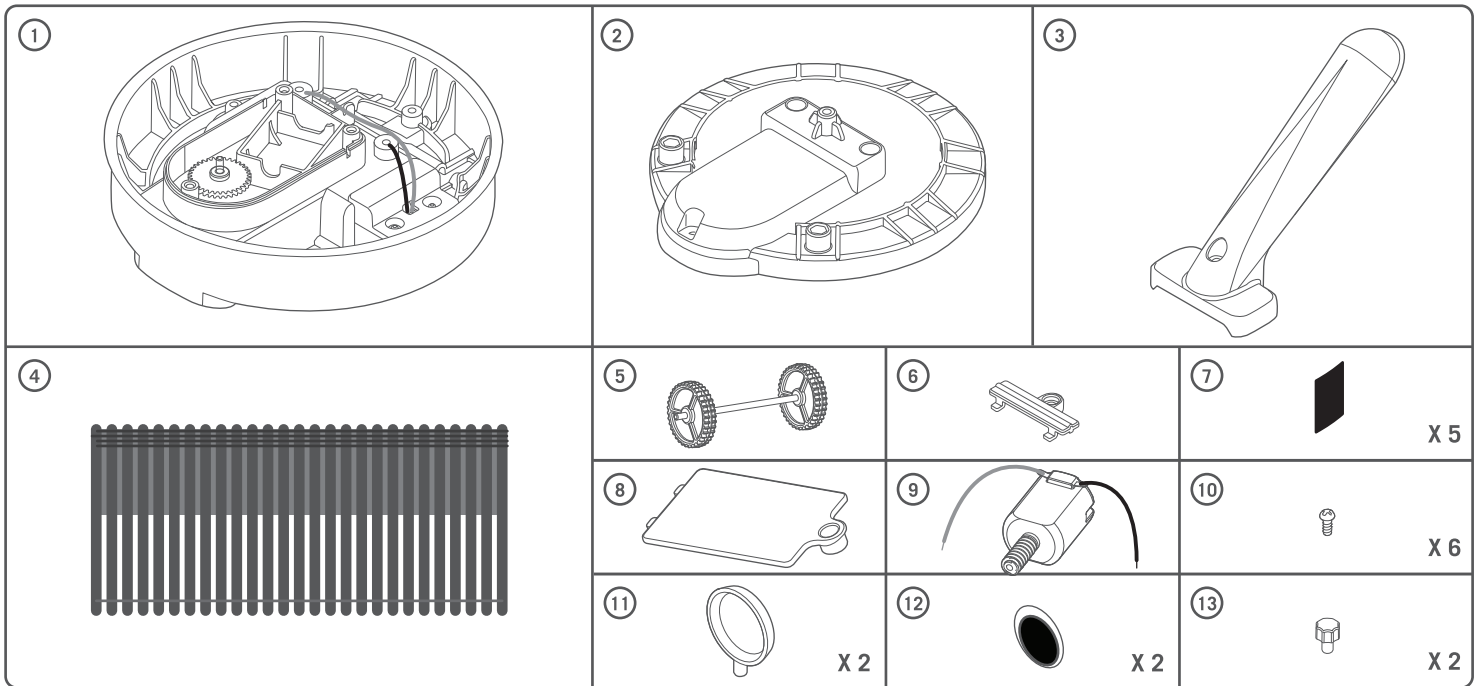
A. SAFETY MESSAGES

1. Adult supervision and assistance are required at all times. 2. This kit is intended for children over 8 years of age. 3. This kit and its finished product contain small parts which may cause choking if misused. Keep away from children under 3 years old. 4. To prevent possible short circuits, never touch the contacts inside the battery case with any metal objects. 5. Only install batteries after you have assembled the product. Adult supervision is required.

B. USE OF BATTERIES

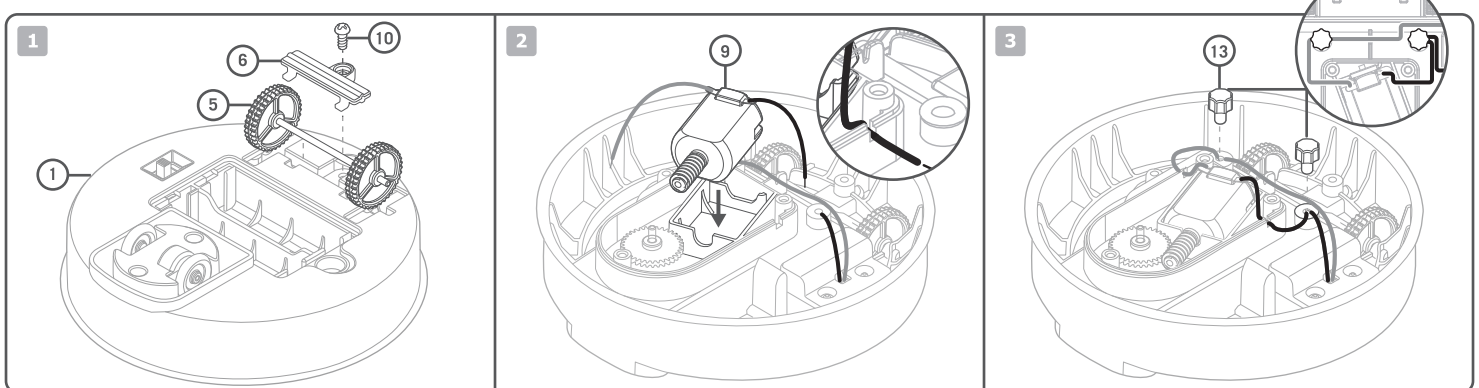
1. Requires two 1.5V AA batteries (not included). 2. For best results always use fresh batteries. 3. Make sure you insert the batteries with the correct polarities. 4. Remove the batteries from the kit when not in use. 5. Replace exhausted batteries straight away to avoid possible damage to the kit. 6. Rechargeable batteries must be removed from the kit before recharging. 7. Rechargeable batteries should be recharged under adult supervision. 8. Make sure that the supply terminals in the battery case are not short circuited. 9. Do not attempt to recharge non-rechargeable batteries. 10. Do not mix old and new batteries. 11. Do not mix alkaline, standard (carbon-zinc), or rechargeable batteries.

C. CONTENTS



Part 1: Cleaner body x 1, Part 2: Body cover x 1, Part 3: Handle x 1, Part 4: Fabric duster x 1, Part 5: Axle with wheels x 1, Part 6: Axle cover x 1, Part 7: Fastening pad x 5, Part 8: Battery case cover x 1, Part 9: Motor with wires x 1, Part 10: Screw x 6, Part 11: Eye support x 2, Part 12: Sticky eye x 2, Part 13: Terminal cap x 2. Also required, but not included in the kit: a small crosshead screwdriver, 2 x 1.5V AA batteries.

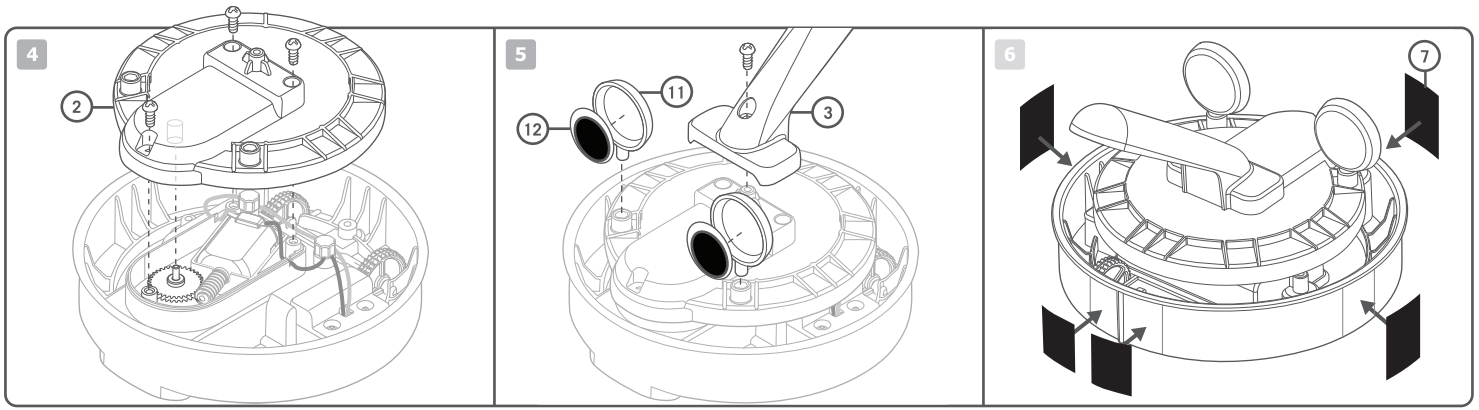
D. ASSEMBLY



1. Insert the axle into its slot on the bottom of the cleaner body. Place the axle cover over the axle and secure it with a screw.
2. Turn the body over and insert the motor into its slot. Make sure the worm gear on the motor interlocks with the gear wheel on the base.
3. Place the bare metal ends of the black wires from the motor and the battery case into one terminal. Push a terminal cap into the terminal to secure the wires in place. Repeat with the two red wires in the other terminal.

Questions & Comments

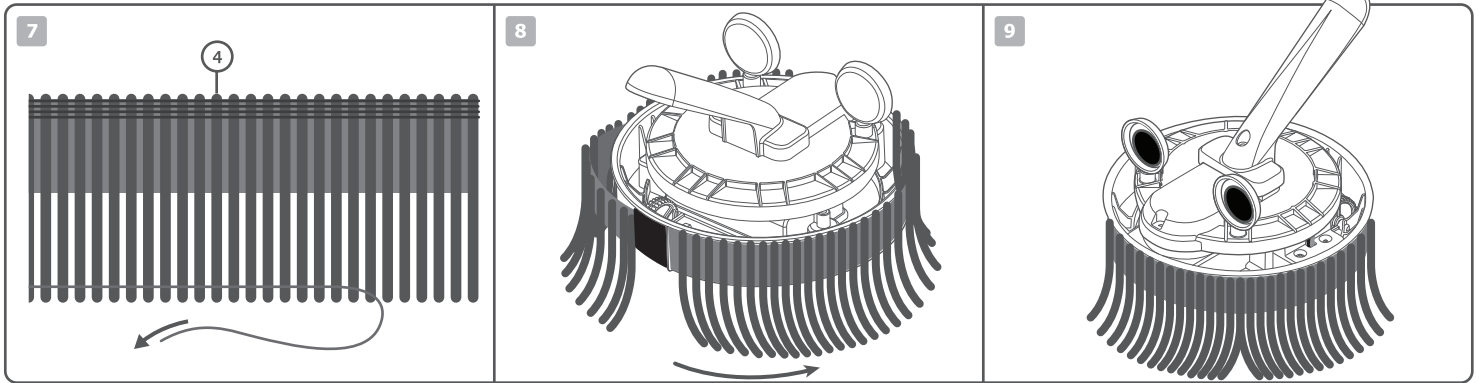
We value you as a customer and your satisfaction with this product is important to us. If you have comments or questions, or you find any part of this kit missing or defective, please do not hesitate to contact our distributor in your country. You will find the address printed on the package. You are also welcome to contact our Marketing Support Team: Email: infodesk@4m-ind.com, Fax (852) 25911566, Tel: (852) 28936241, Web site: WWW.4M-IND.COM



4. Put the body cover over the motor and secure it with three screws.

5. Remove the backing from each eye and stick one eye into each eye support. Push the eye supports into their holes in the base. Snap the handle into place and secure it with a screw.

6. Remove the sticky backing from the fastening pads and stick the pads in place to the marks provided on the body, as shown in the diagram. Two of the pads must be stuck next to each other so that both ends of the fabric duster are secured.

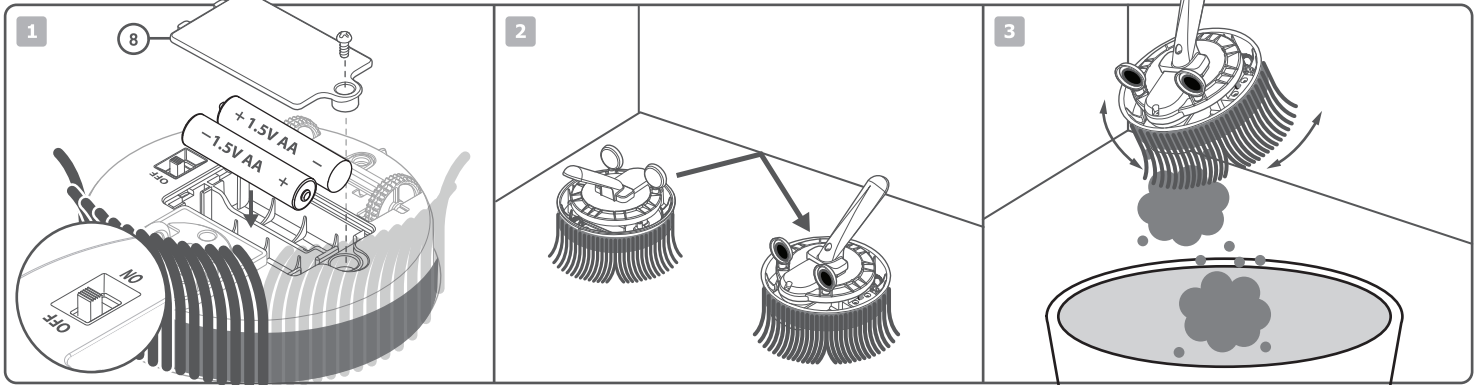


7. Carefully remove the single string from the fabric duster so the strands of the fabric duster are free from each other.

8. Press one end of the duster's band against one of the two fastening pads that are next to each other. Stretch the fabric duster around the body, pressing it onto the other fastening pads. (Important: Move the strands of the fabric duster away from the body to ensure that the wheels can move smoothly without jamming the strands.)

9. Well done! Your Smart Cleaner is ready to roll.

E. OPERATION



1. Insert two 1.5V AA batteries into the battery compartment in the Cleaner's base, making sure the poles are the correct way round (the flat end of the battery always goes against the spring). If the motor begins to run, flick the switch on the Cleaner's base to turn the motor off. Put on the battery compartment cover and secure it with a screw. Flick the switch on the base to turn the motor on and place the Cleaner on the floor.

2. Find a smooth floor for your Smart Cleaner to explore. Watch the Cleaner move across the floor, collecting dust as it goes. When it hits an obstacle it will turn or reverse and carry on its job.

3. After a few minutes, pick up and switch off the Smart Cleaner and tap any dust and hairs into bin.

F. TROUBLESHOOTING

If the Cleaner stops or fails to turn, the wheels may be jammed with dust or hairs collected from the floor. Carefully brush away the dust and hair. If the Cleaner walks backwards, check whether the wires from the motor are on the correct connectors. If not, swap them over.

G. HOW IT WORKS

The secret of the Smart Cleaner is the clever mechanism in the motor. The worm gear on the motor shaft turns the gear wheel at the top of the mechanism, which turns a shaft attached to another smaller gear. This gear turns the axle and the two small wheels with rubber tyres. The axle and wheels can turn round on the shaft. The wheels move the Cleaner forwards until the Cleaner hits an obstacle, then the shaft turns so that the wheels drive the Cleaner in a new direction.

H. FUN FACTS

- The dust that your Smart Cleaner sweeps up contains all sorts of dirt, including human hairs, animal hairs, pollen grains from plants, fibers from clothes and paper, bits of soil, and worst of all, old cells from your skin.
- Some top-of-the-range robot vacuum cleaners have an on-board computer and sensors that detect walls and furniture. The robot learns the shape of the room it's cleaning, and the position of tables and chairs, to make sure it cleans every part of the room.